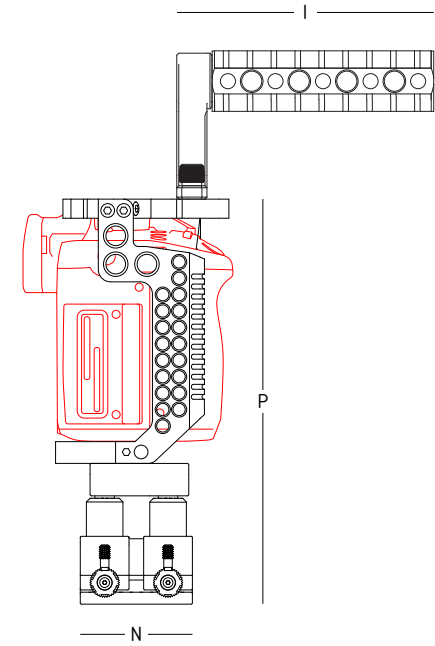
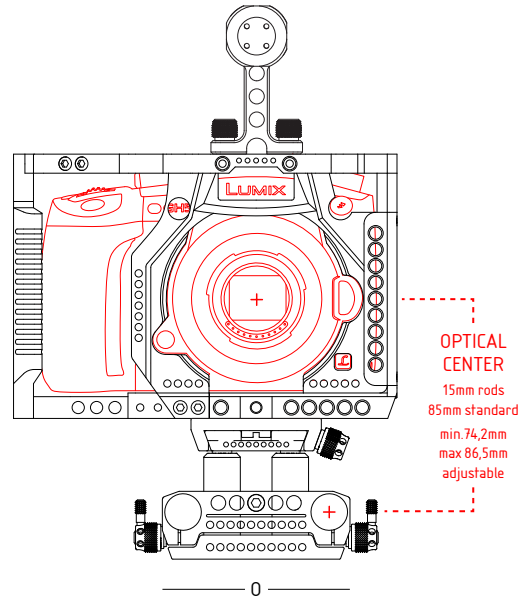
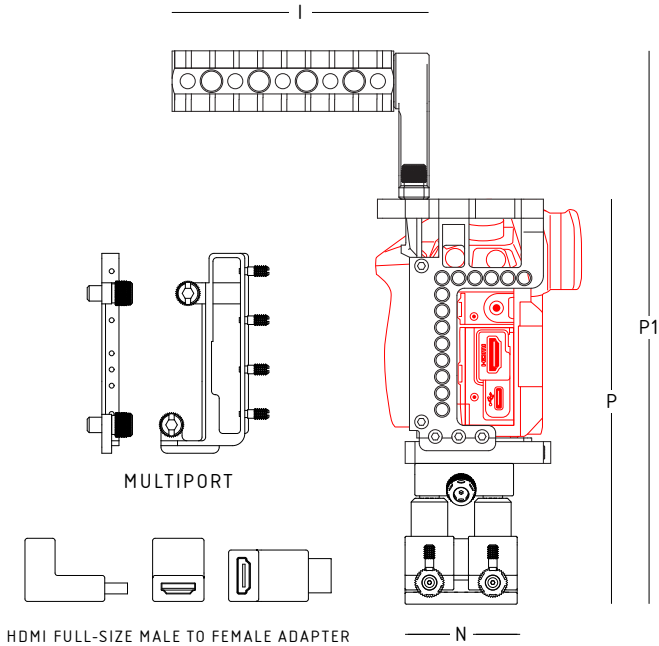
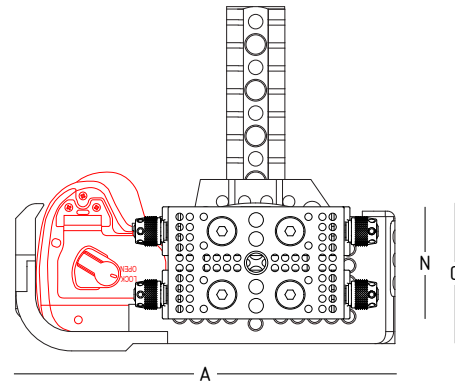


A	155,0mm / 6,1in.
D1	147,3mm / 5,8in.
F	67,6mm / 2,7in.
F1	145,6mm / 5,7in.
G	55,7mm / 2,2in.
H	55,3mm / 2,1in.
I	102,4mm / 4,0in.
N	46mm / 1,8in.

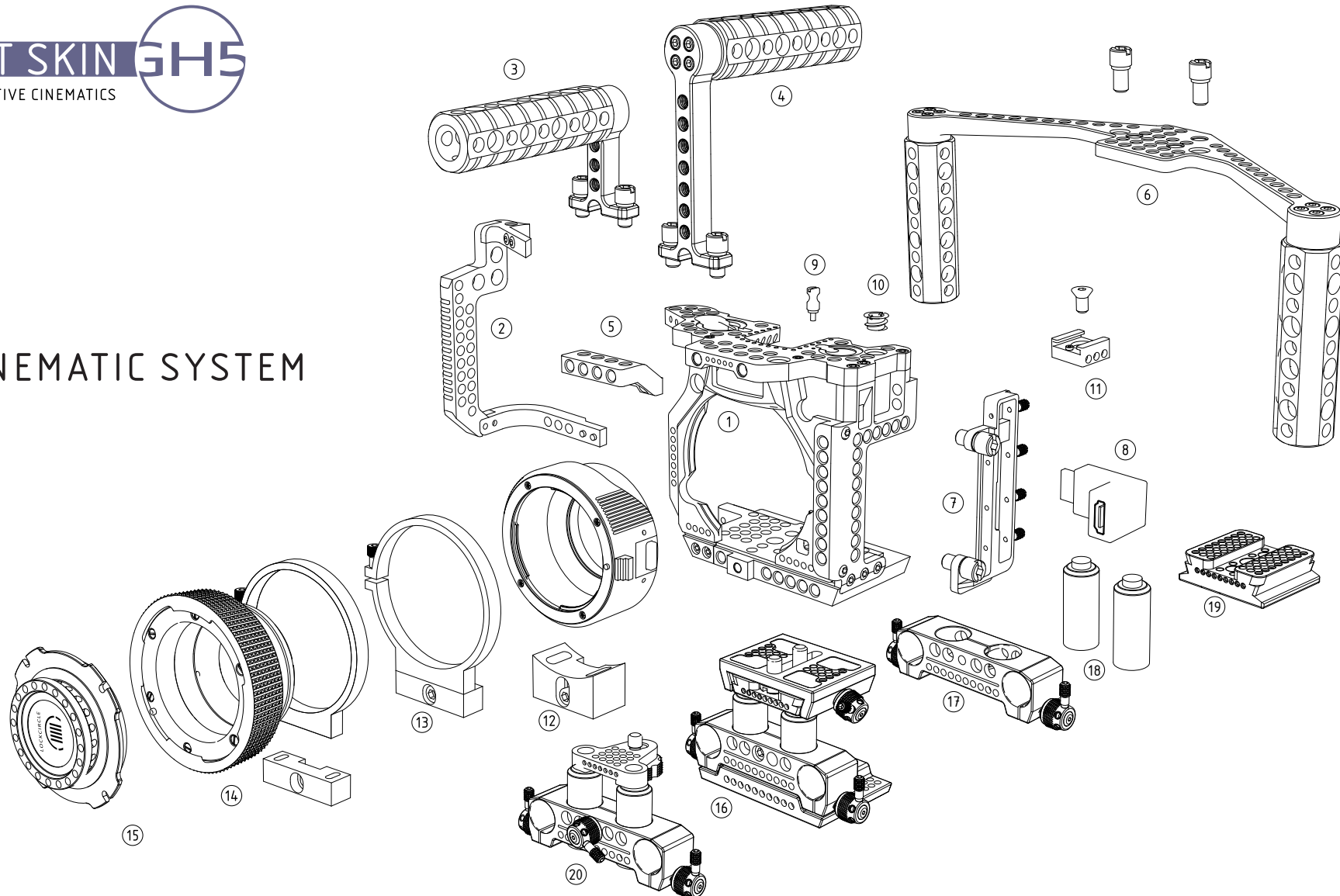


O	72,5mm / 2,9in.
P	166,0mm / 6,5in.
P1	226,0mm / 8,9in.

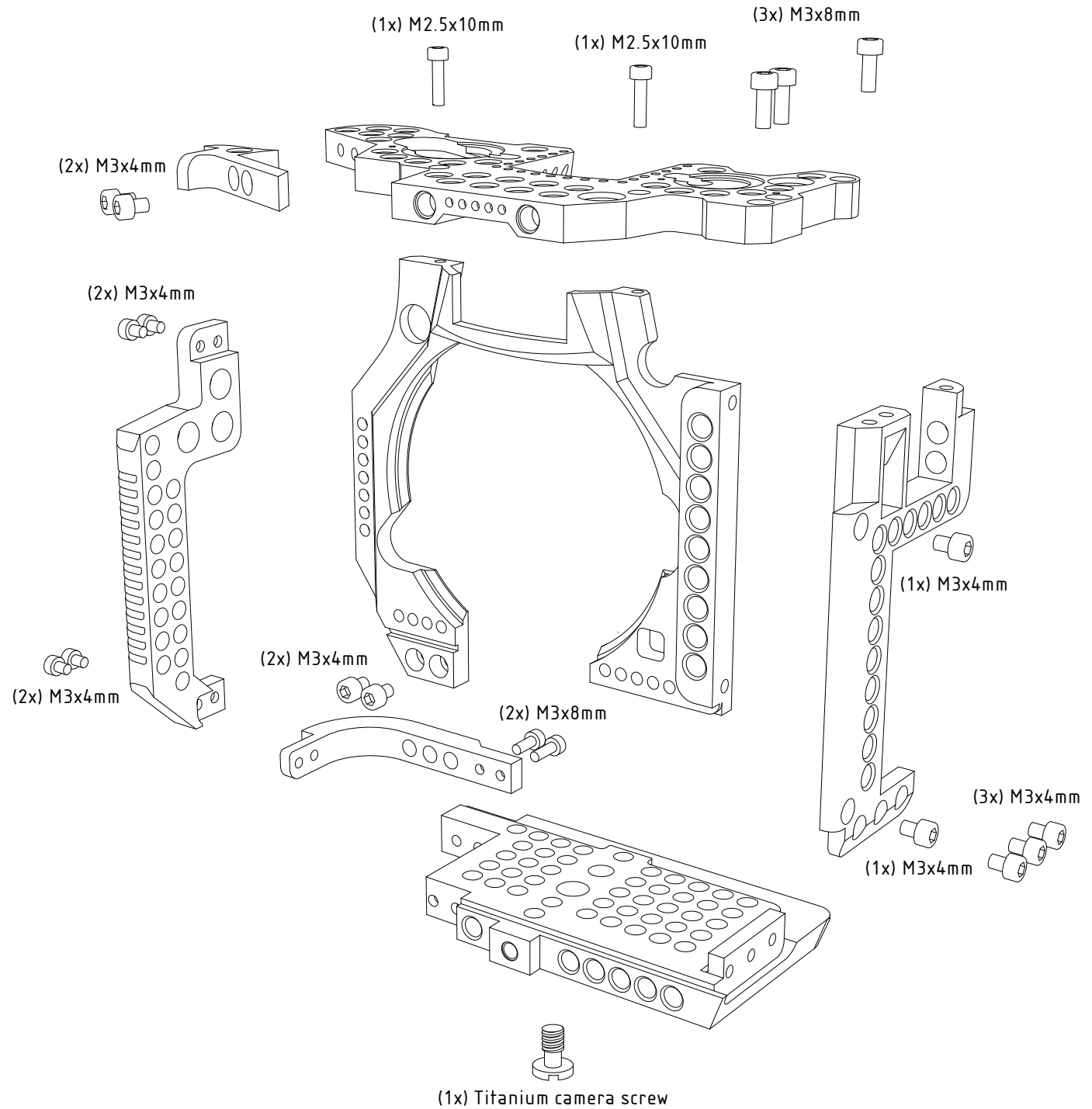
weight w/out camera 657 gr. / 23,0oz.



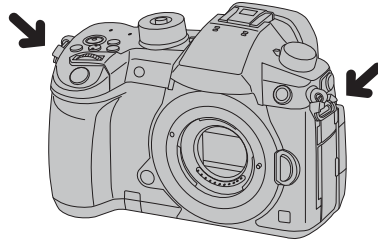
THE CINEMATIC SYSTEM



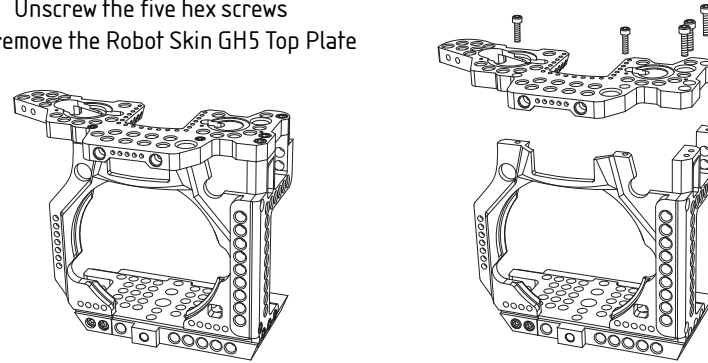
- | | | | |
|----------------|-----------------------------------|------------------|---|
| ① #RSGH5-KIT | Robot Skin GH5 kit | ⑭ #BCGH4-IMSM | P+S IMS Mount Adapter to MFT-Mount |
| ② #RSGH5SB-KIT | Robot Skin GH5 Side Bar kit | ⑮ #LC-PL | PL Mount Cap |
| ③ #BC-TGHS | Top Grip Handle S | ⑯ #MM2-KIT-35 | Micro Mega-M Baseplate kit |
| ④ #BC-TGHE | Top Grip Handle Extension | ⑰ #MM-RM15 | Micro Mega Rod Mount 15mm |
| ⑤ #BC-FEA | Front Extension Adapter | ⑱ #MM2-RR | Micro Mega-M Rod Riser 35 |
| ⑥ #BCA7-BB | BoomBooster Freestyle Grip Handle | ⑲ #MM2-MMP | Micro Mega-M Mount Plate |
| ⑦ #RSGH5-MP | Robot Skin GH5 Multiport | ⑳ #MM2-LSS-KIT | Micro Mega-M Long lens - monitor/recorder |
| | | ⑧ #HDMI/HDMI-H1 | Lockport full size HDMI to full size HDMI |
| | | ⑨ #BC-FPP | Focal Plain Pin |
| | | ⑩ #BCAK | Titanium adapter 1/4"-20 to 3/8"-16 |
| | | ⑪ #BC-HS | Hot Shoe (cold) |
| | | ⑫ #RSGH5-MB | M Block for Metabones |
| | | ⑬ #RSGH5-IMS-KIT | IMS Mount Kit for P+S Mount |



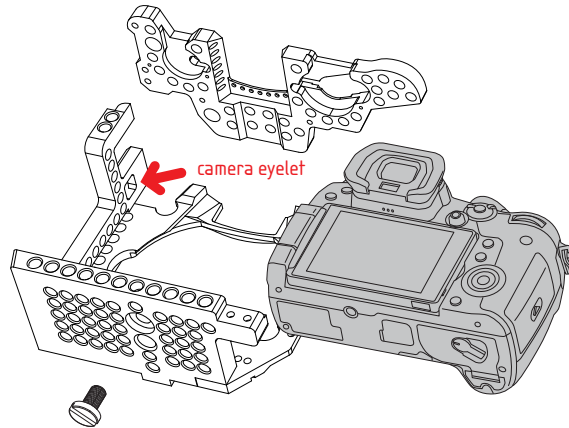
Remove from the camera
the two neck strap rings



Unscrew the five hex screws
and remove the Robot Skin GH5 Top Plate

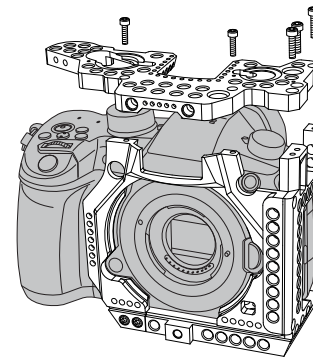


Insert the Lumix GH5 sliding-in from the right side
and lock the camera screw after aligning the camera

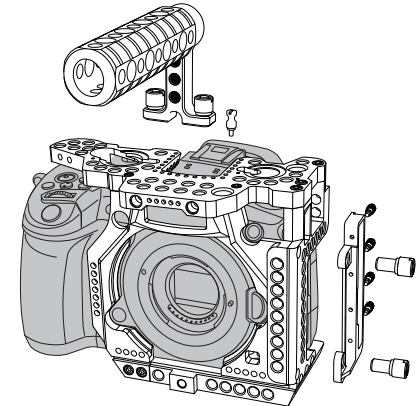


Titanium 1/4"-20 camera screw

Screw back the Top Plate



Now your Robot Skin GH5 is ready
to be completed with other accessories



SIDE BAR MOUNTING

