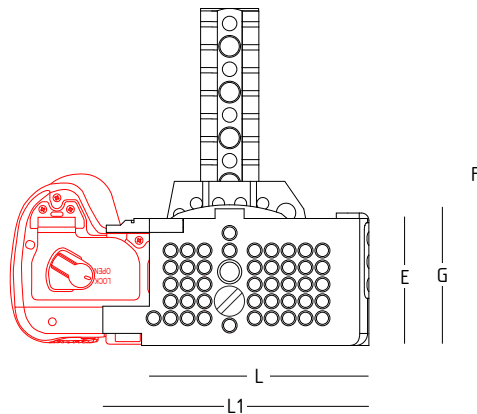
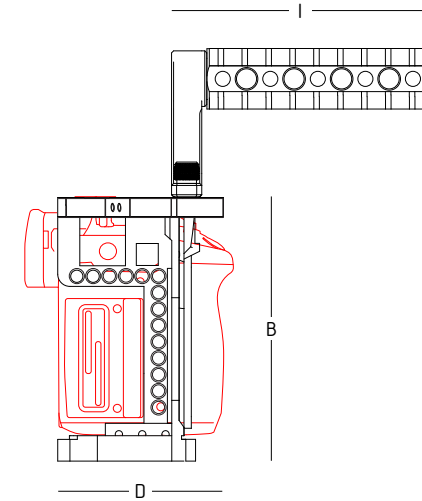
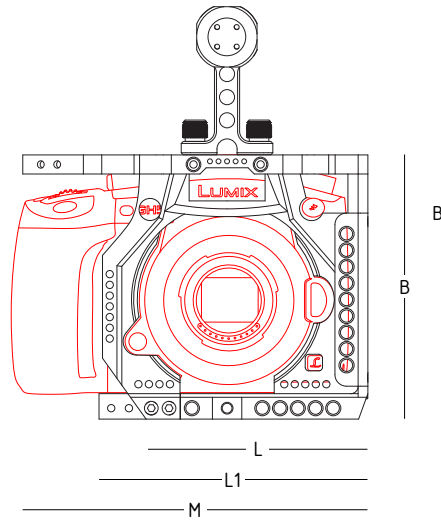
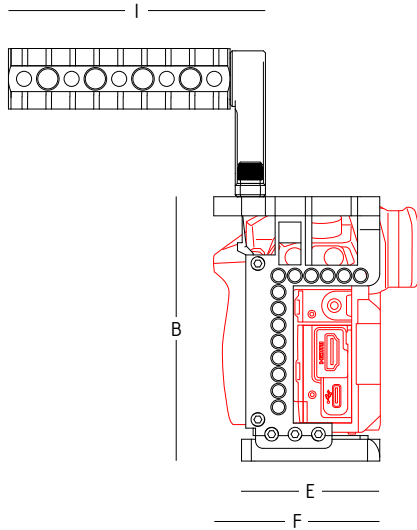


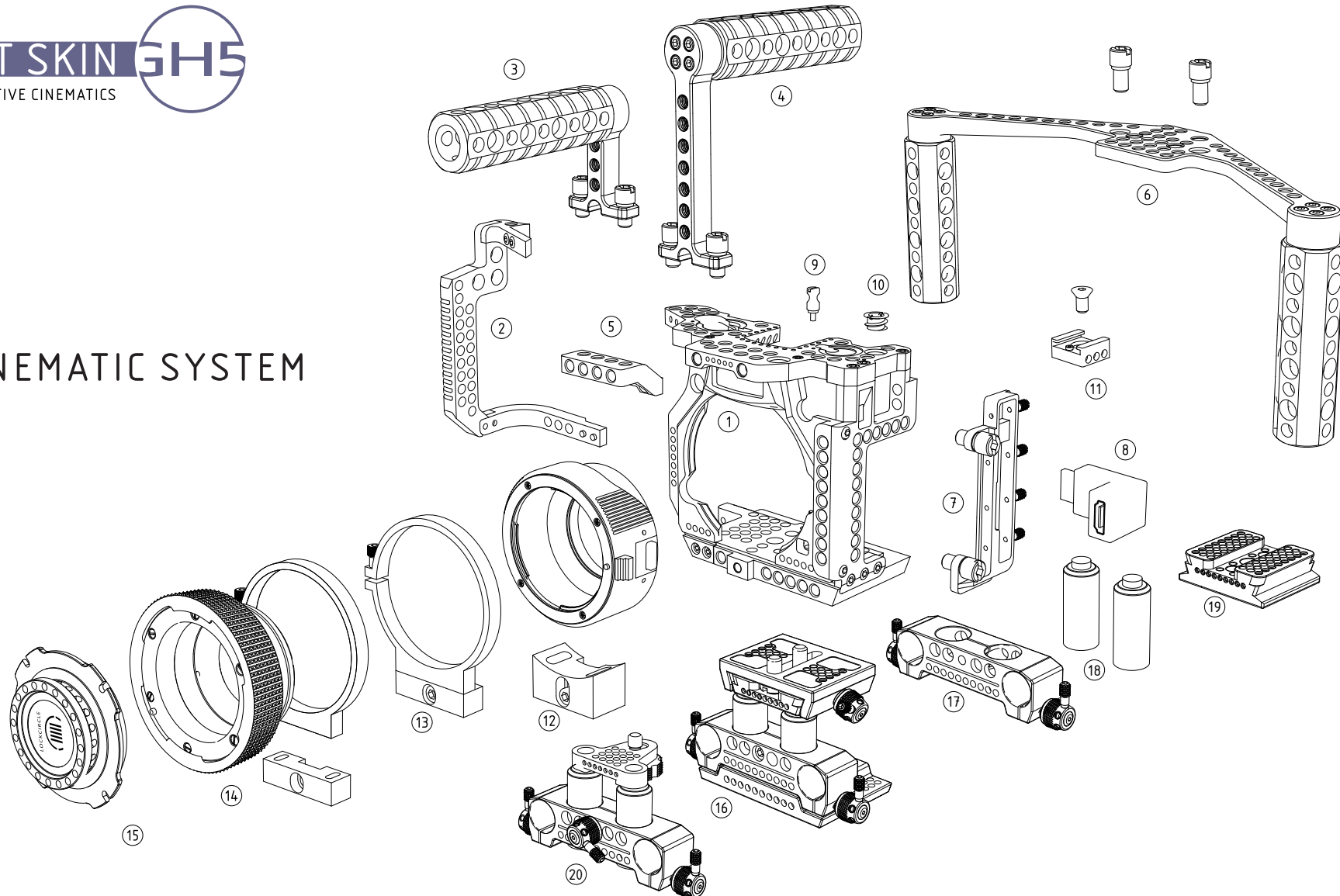
B	108,5mm / 4,2in.
B1	167,0mm / 6,6in.
D	55,4mm / 2,1in.
E	51,6mm / 2,0in.
F	67,6mm / 2,7in.
F1	145,6mm / 5,7in.
G	55,7mm / 2,2in.
H	55,3mm / 2,1in.



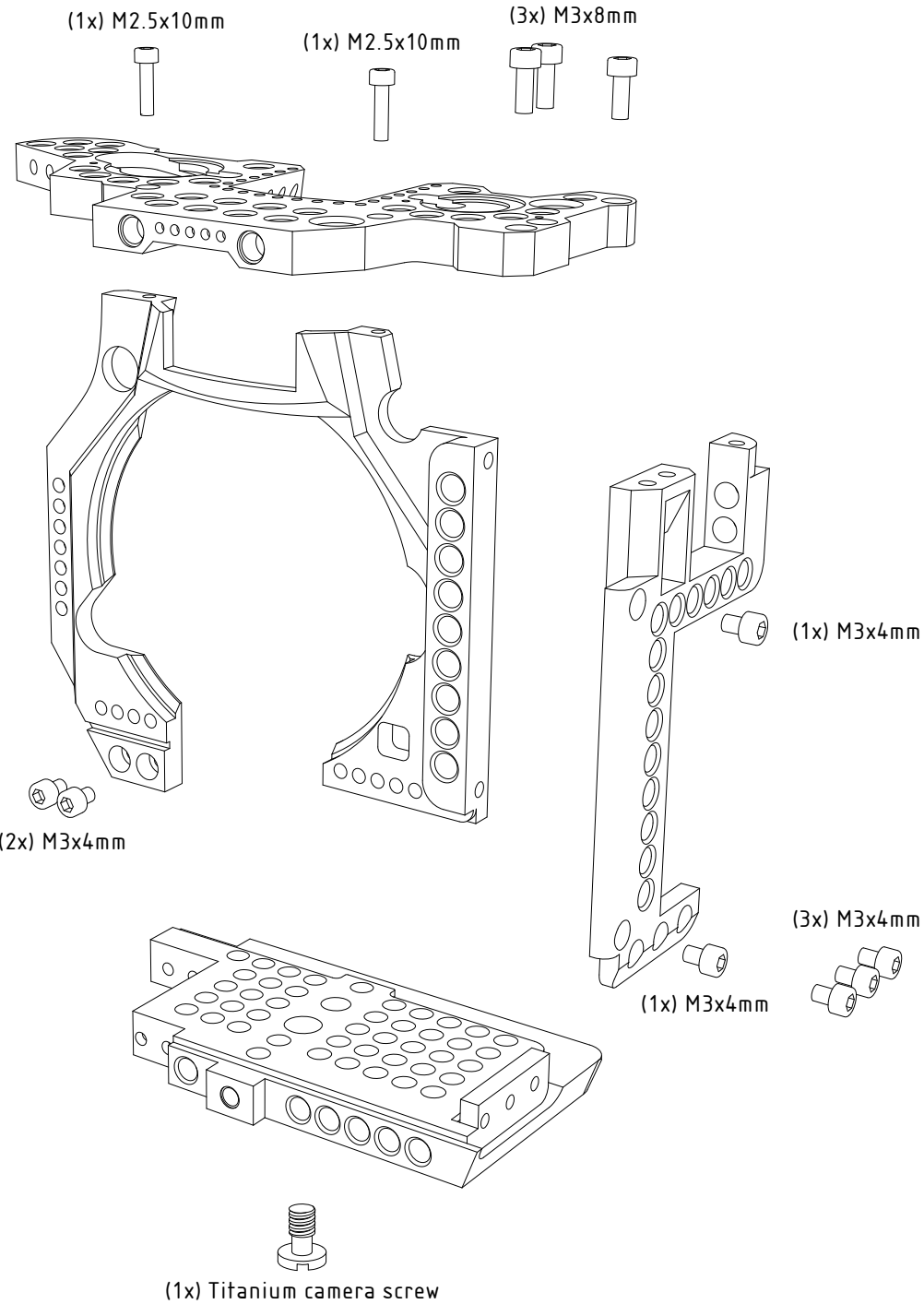
I	102,4mm / 4,0in.
L	89,8mm / 3,5in.
L1	109,0mm / 4,3in.
M	141,3mm / 5,6in.

weight w/out camera 306 gr. / 10,7oz.

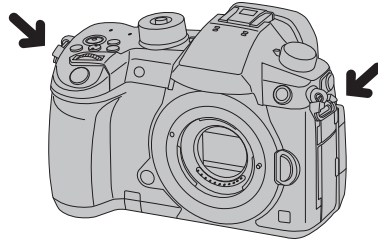
# THE CINEMATIC SYSTEM



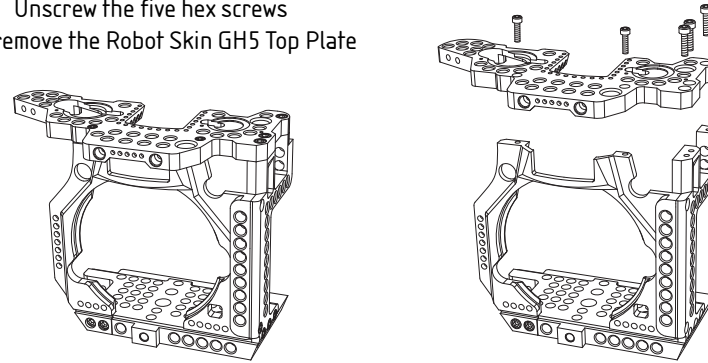
- |                |                                   |                  |   |
|----------------|-----------------------------------|------------------|---|
| ① #RSGH5-KIT   | Robot Skin GH5 kit                | ⑭ #BCGH4-IMSM    | P+S IMS Mount Adapter to MFT-Mount        |
| ② #RSGH5SB-KIT | Robot Skin GH5 Side Bar kit       | ⑮ #LC-PL         | PL Mount Cap                              |
| ③ #BC-TGHS     | Top Grip Handle S                 | ⑯ #MM2-KIT-35    | Micro Mega-M Baseplate kit                |
| ④ #BC-TGHE     | Top Grip Handle Extension         | ⑰ #MM-RM15       | Micro Mega Rod Mount 15mm                 |
| ⑤ #BC-FEA      | Front Extension Adapter           | ⑱ #MM2-RR        | Micro Mega-M Rod Riser 35                 |
| ⑥ #BCA7-BB     | BoomBooster Freestyle Grip Handle | ⑲ #MM2-MMP       | Micro Mega-M Mount Plate                  |
| ⑦ #RSGH5-MP    | Robot Skin GH5 Multiport          | ⑳ #MM2-LSS-KIT   | Micro Mega-M Long lens - monitor/recorder |
|                |                                   | ⑧ #HDMI/HDMI-H1  | Lockport full size HDMI to full size HDMI |
|                |                                   | ⑨ #BC-FPP        | Focal Plain Pin                           |
|                |                                   | ⑩ #BCAK          | Titanium adapter 1/4"-20 to 3/8"-16       |
|                |                                   | ⑪ #BC-HS         | Hot Shoe (cold)                           |
|                |                                   | ⑫ #RSGH5-MB      | M Block for Metabones                     |
|                |                                   | ⑬ #RSGH5-IMS-KIT | IMS Mount Kit for P+S Mount               |



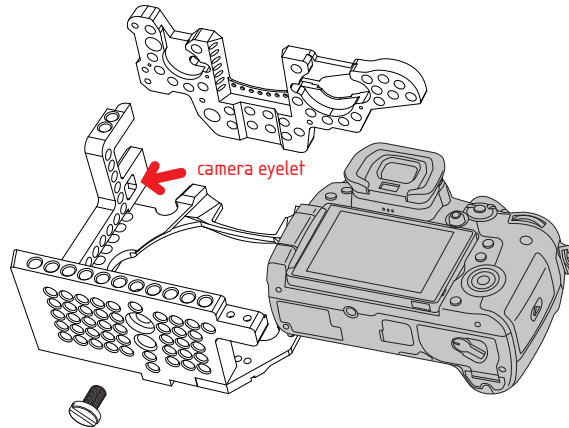
Remove from the camera  
the two neck strap rings



Unscrew the five hex screws  
and remove the Robot Skin GH5 Top Plate

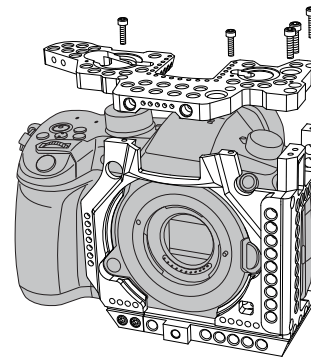


Insert the Lumix GH5 sliding-in from the right side  
and lock the camera screw after aligning the camera

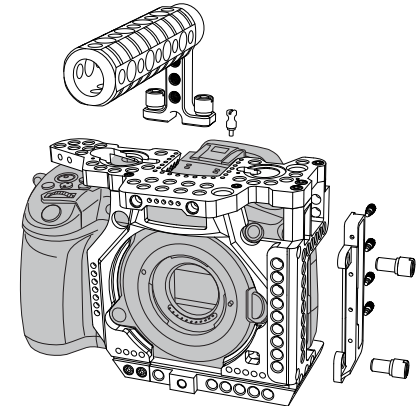


Titanium 1/4"-20 camera screw

Screw back the Top Plate



Now your Robot Skin GH5 is ready  
to be completed with other accessories



SIDE BAR MOUNTING

