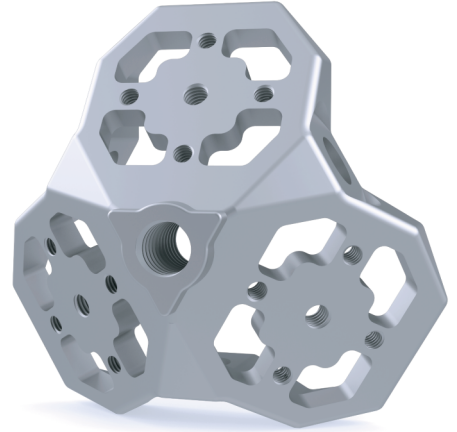
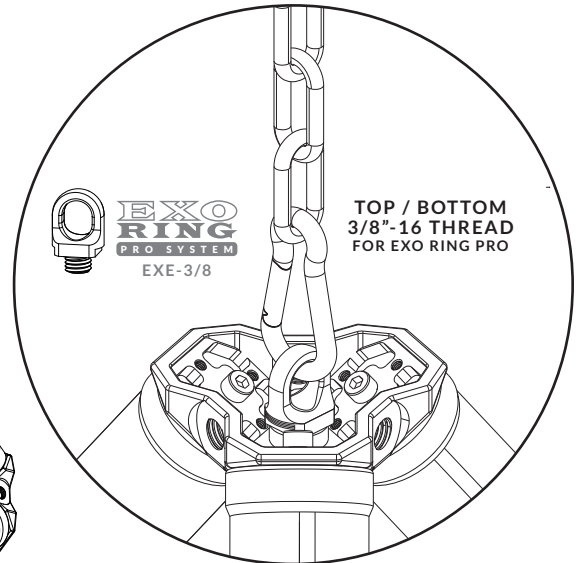
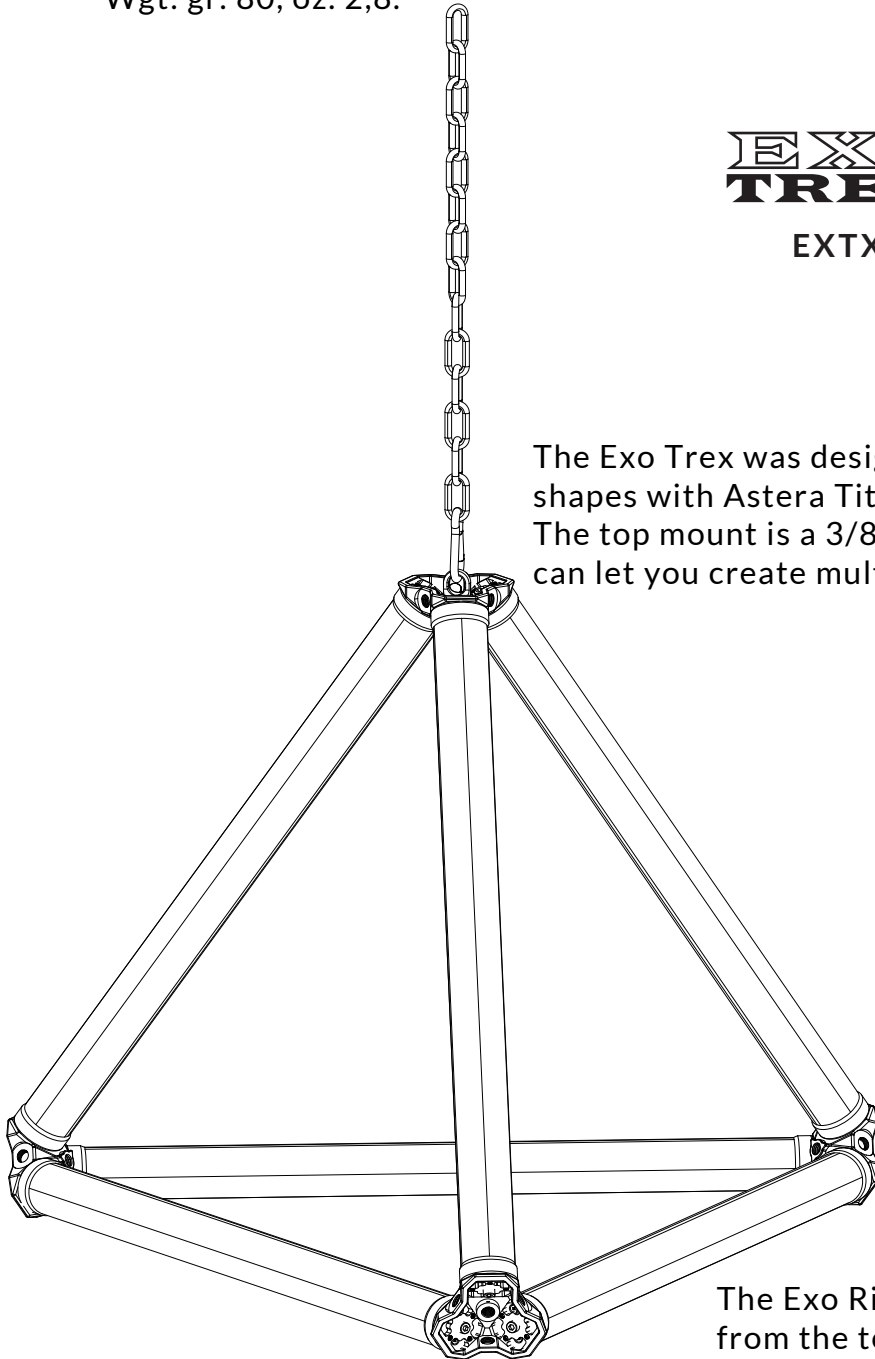


3-Way Pyramid building module for Astera Helios, Titan LED tubes.
Aluminium Silver Anodized with (3x) M5 threads and (12x) M4 threads. (3x) M5X10 hex screws with hex key SW4. (1x) Top/Bottom 3/8" - 16 Mounting thread.
Wgt: gr. 80, oz. 2,8.

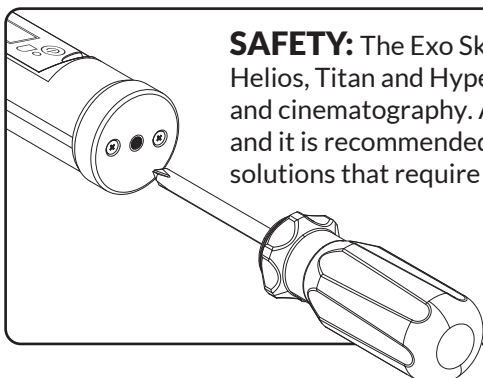
EXO
TREX
EXTX



The Exo Trex was designed to create triangle pyramid shapes with Astera Titan and Helios LED tubes. The top mount is a 3/8" - 16 thread (also bottom thread) can let you create multiple layers of "pyramid in pyramids".

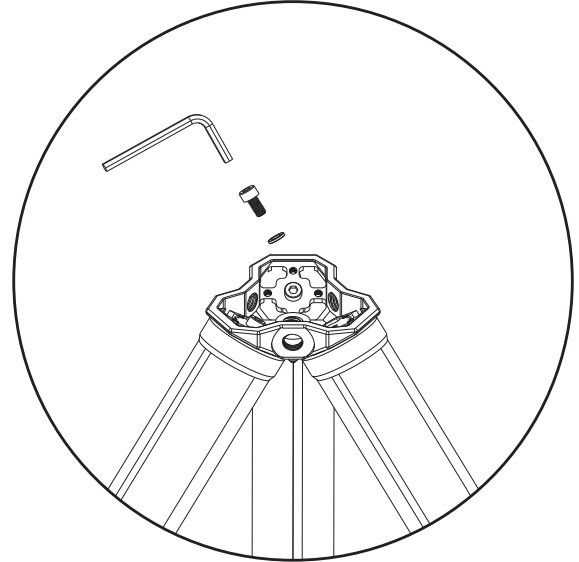
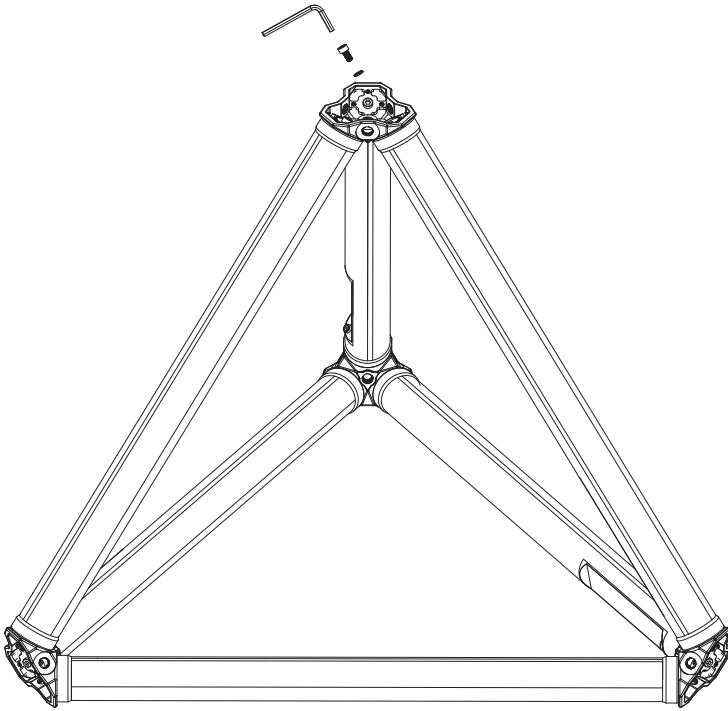


The Exo Ring Pro 3/8" - 16 can hang the fixture from the top, but also another unit can be mounted on the bottom for creative projects.



SAFETY: The Exo Skeleton system has been designed to expand the creative potential with Astera Helios, Titan and Hyperion LED tubes for professional users in the world of entertainment, television and cinematography. Astera LEDs were not originally designed for heavy use with complex modularity and it is recommended to carefully evaluate safety in the construction of complex and sophisticated solutions that require professional support and anchoring systems.

WARNING: Before using the Exo Skeleton system with the Astera LED tubes, make sure that the two screws are well tightened with a Phillips screwdriver. This is important for effective and safe use, avoiding wear of the parts in contact.



The Exo Trex is great to create triangle pyramids for many scenographic applications expanding the creativity for any show or event.

