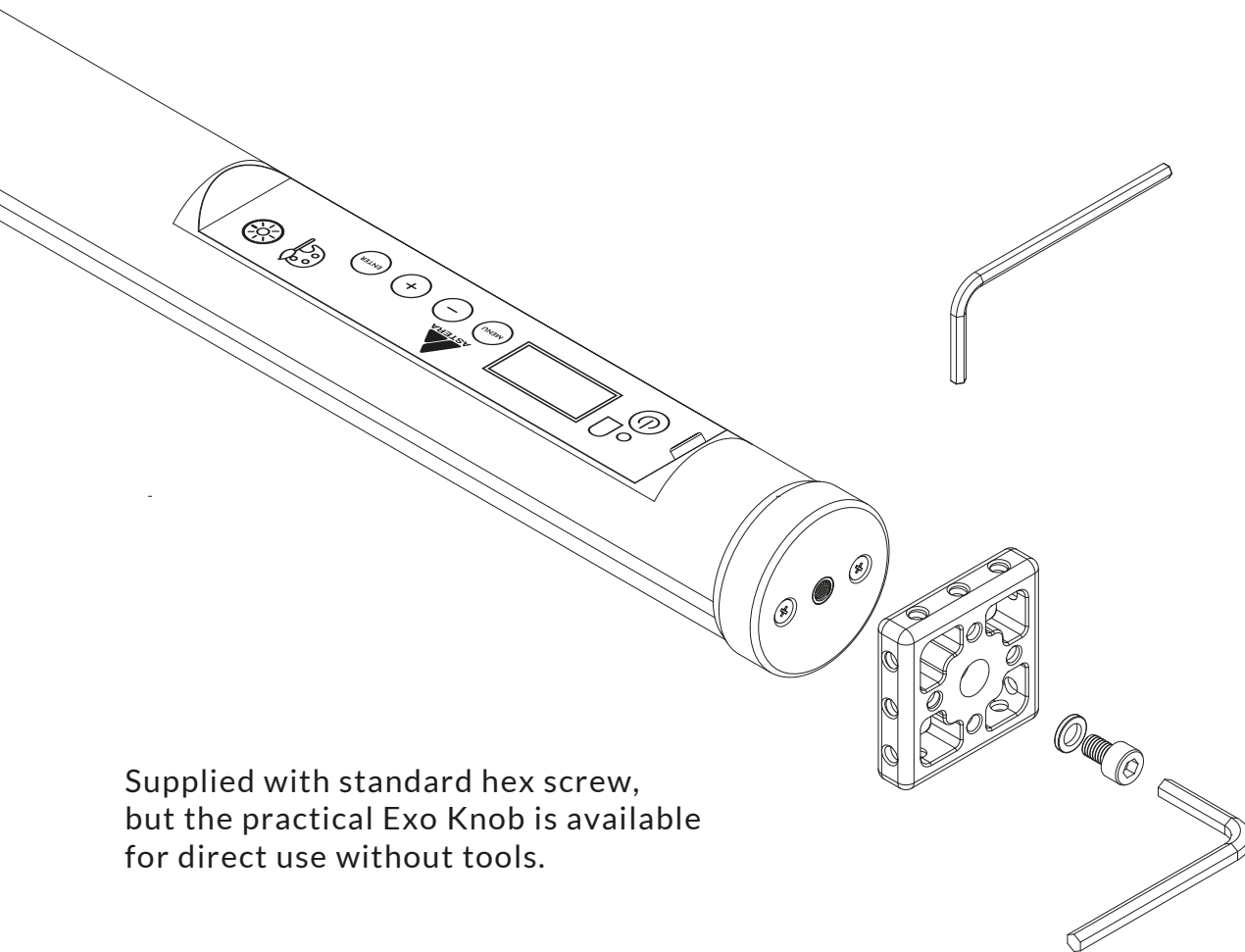
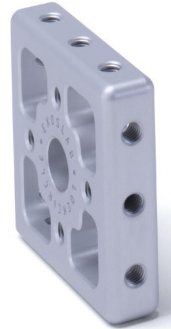


Side Mount module for Exo Bone Helios and Titan in Silver finish. Aluminium Silver Anodized with (3x) M4X8 and (1x) M5X8 hex screws, (1x) hex key SW3, (1x) hex key SW4. Wgt: gr. 36, oz. 1,3.

The Exo Slab has been designed to solve the annoying problem of the weight imbalance of the Astera tubes when used on the ground on stages, in film production and photographic still-life set-ups.

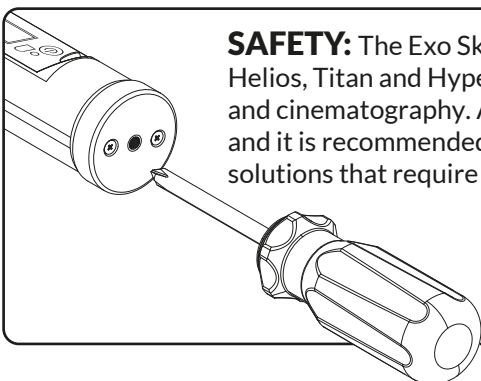
**EXO
SLAB**
EXSB

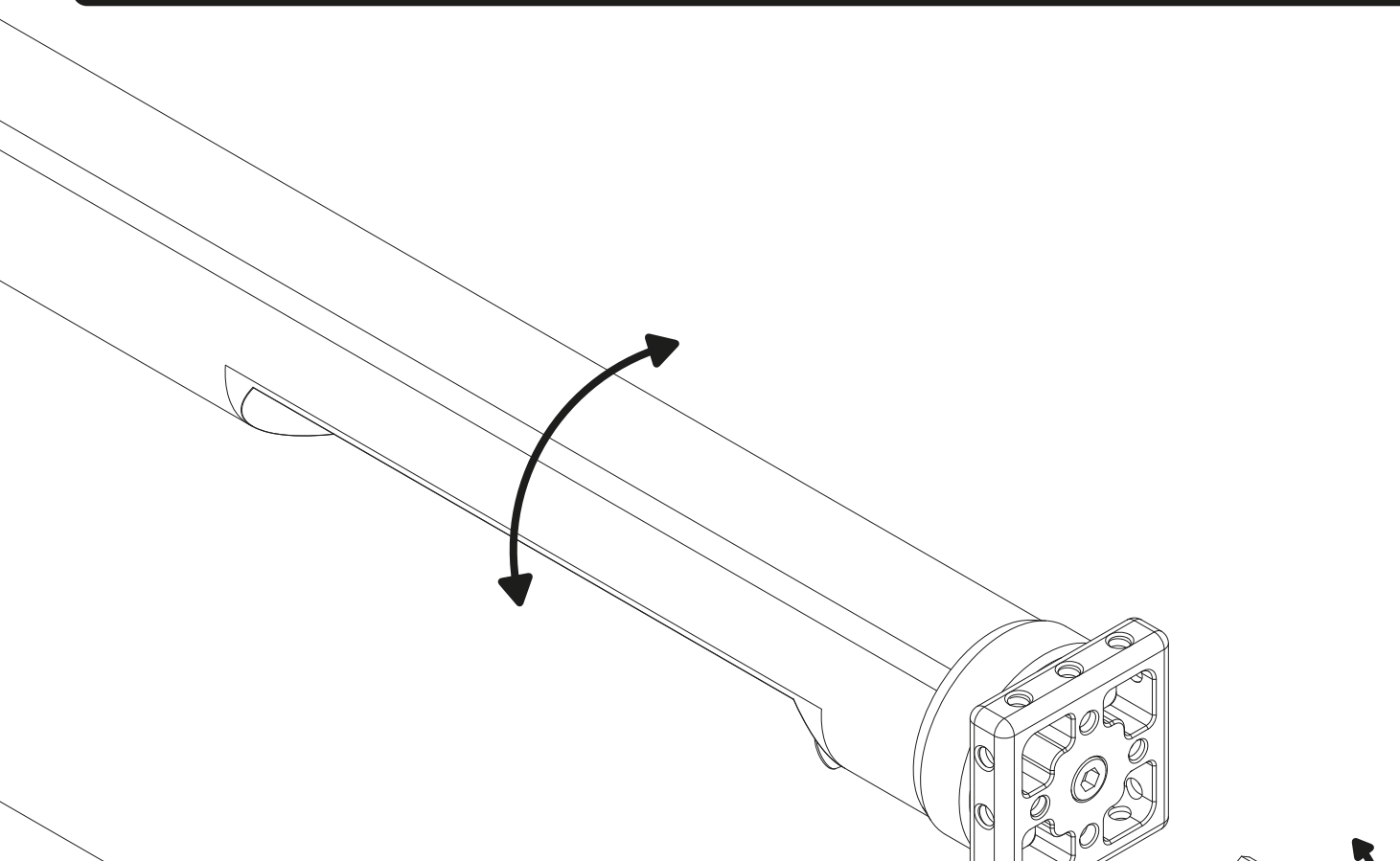


Supplied with standard hex screw, but the practical Exo Knob is available for direct use without tools.

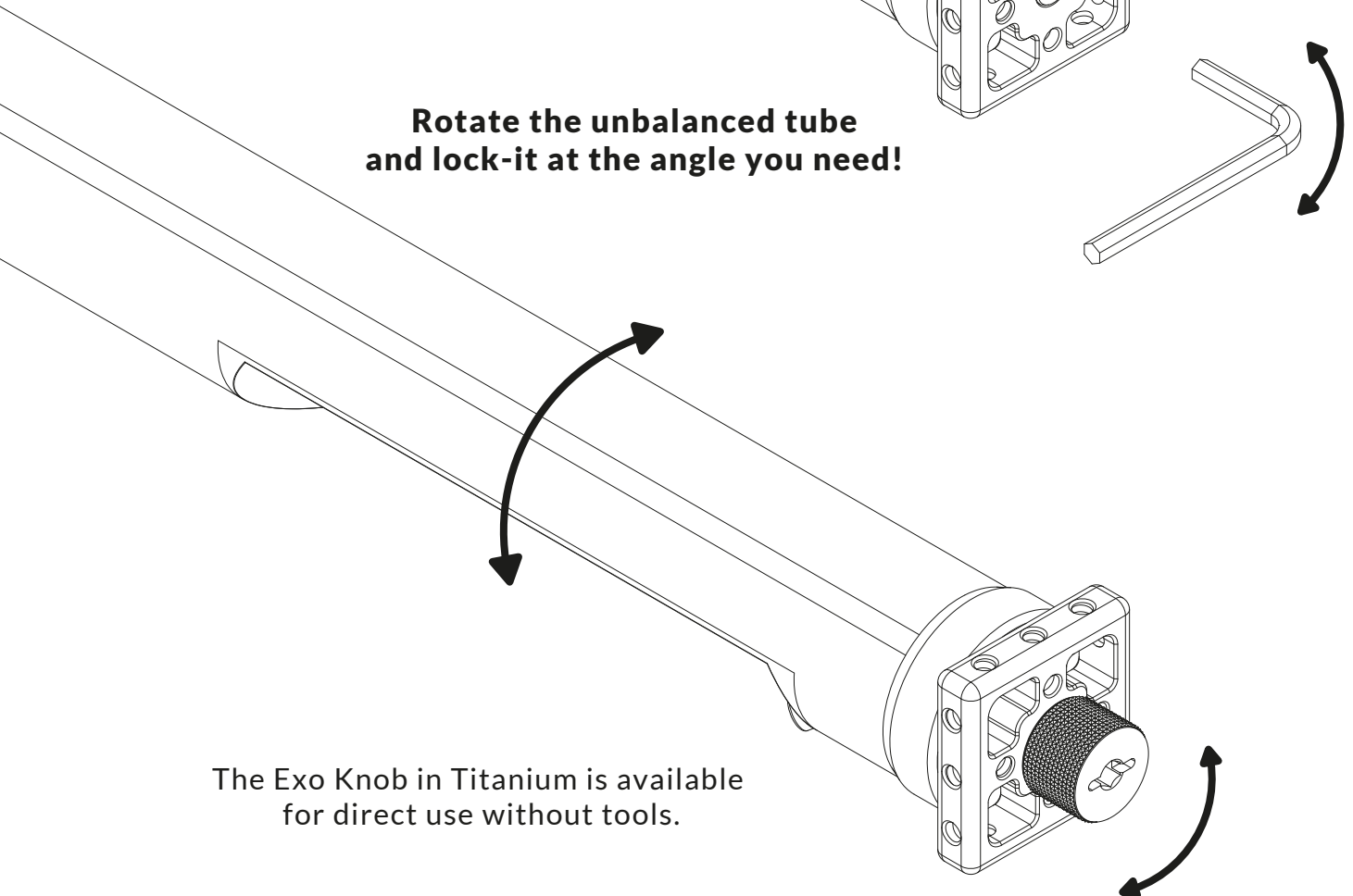
SAFETY: The Exo Skeleton system has been designed to expand the creative potential with Astera Helios, Titan and Hyperion LED tubes for professional users in the world of entertainment, television and cinematography. Astera LEDs were not originally designed for heavy use with complex modularity and it is recommended to carefully evaluate safety in the construction of complex and sophisticated solutions that require professional support and anchoring systems.

WARNING: Before using the Exo Skeleton system with the Astera LED tubes, make sure that the two screws are well tightened with a Phillips screwdriver. This is important for effective and safe use, avoiding wear of the parts in contact.





**Rotate the unbalanced tube
and lock-it at the angle you need!**



The Exo Knob in Titanium is available
for direct use without tools.