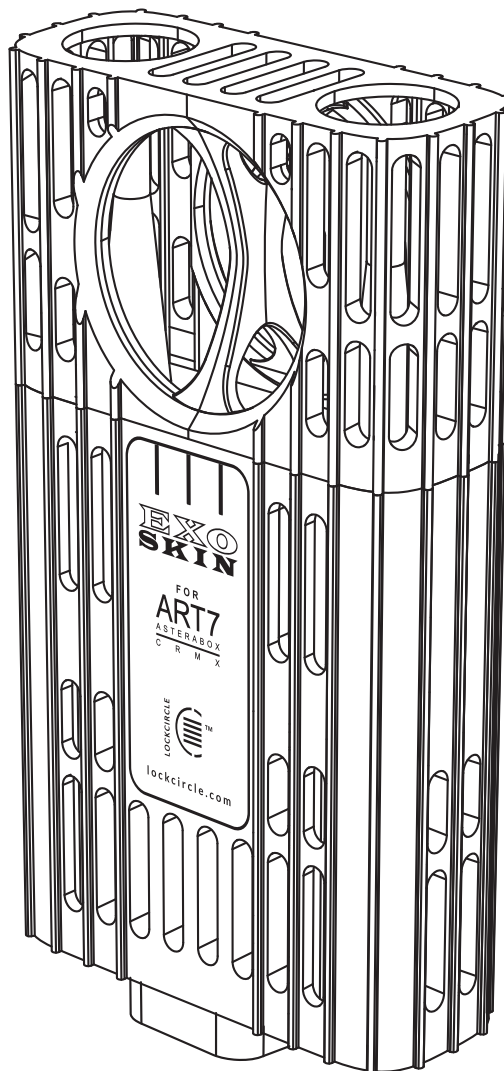


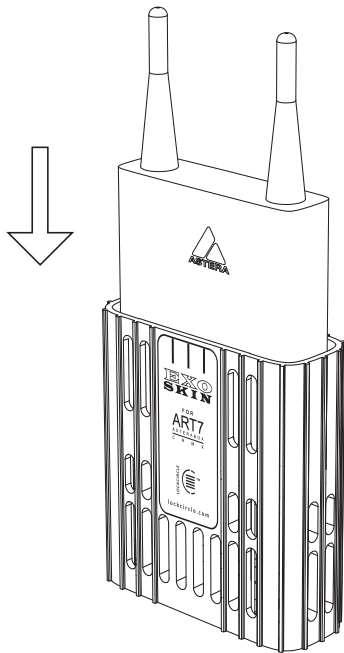
Additive manufactured carbon fiber armored honeycomb structure protection casing for Astera Box ART7. Complete with Aluminium black anodized L-Bracket with 2 threads ¼ -20 and 2 threads 3/8-16, (2x) screws M3X8, (2x) M3X14, (1) hex keys SW2, (1x) SW2,5. Wgt: gr. 185, oz. 6,5

**EXO  
SKIN****EXSK**

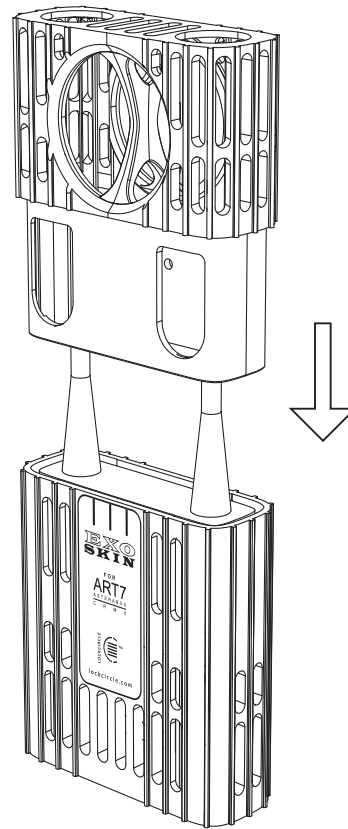
The Exo Skin is a protective casing to protect the Astera Box during tough daywork production day.

Manufactured with carbon fiber additive technology for strong impact and drop resistance.

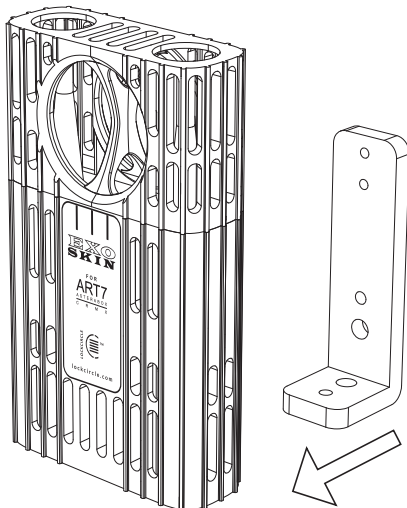
A CNC Machined Aluminium L-Bracket with vertical and horizontal threads (2x 1/4-20 / 2x 3/8-16) allows it to be clamped securely.



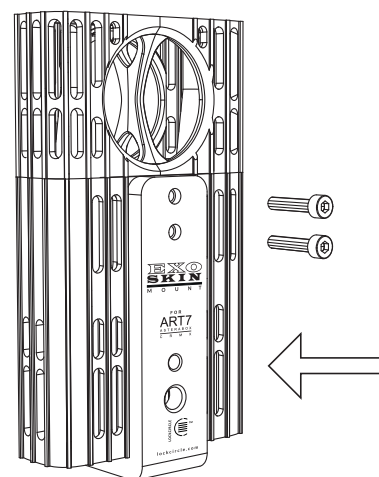
- 1.** insert the AsteraBox and push it to the bottom.



- 2.** slide over the antennas and insert the top cover and push it in to the bottom.



- 3.** install the L-Bracket



- 4.** screw on the (2x) M3x14 screws and lock it with the hex tool.

*In the kit is also supplied (2x) M3x8 hex screws to mount the Astera Belt Clip if needed.*