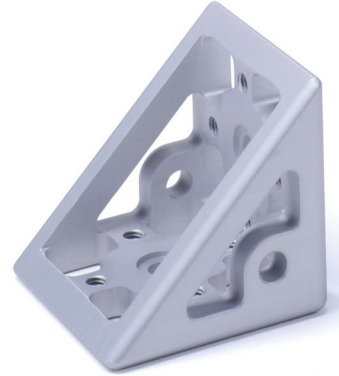


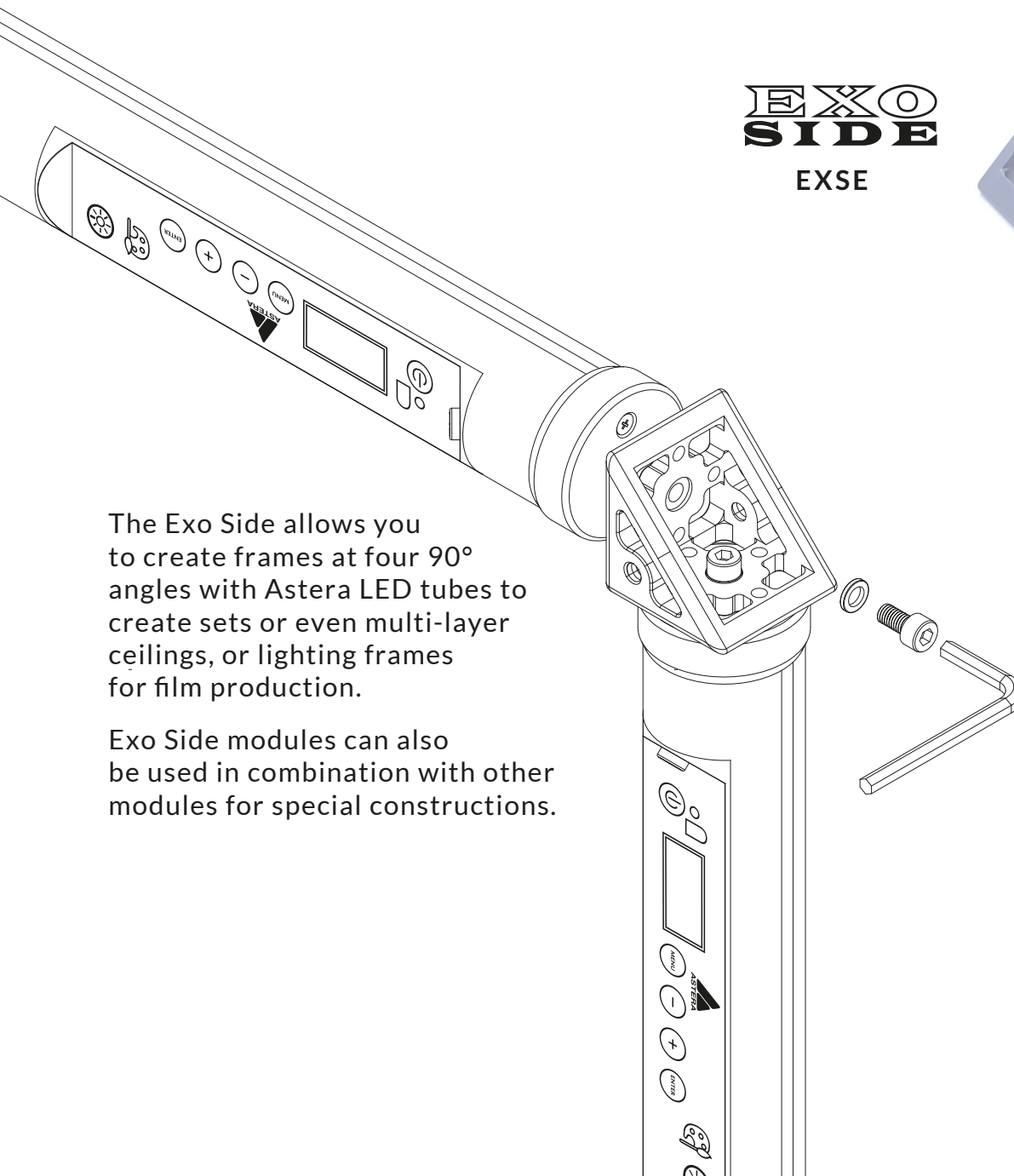
Straight Angle (90°) building module for Astera Helios, Titan and Hyperion. Aluminium Silver Anodized, with (2x) M5 threads and (12x) M4 threads. (2x) M5X10 hex screws, (1x) hex key SW4. Wgt: gr. 38, oz. 1,3.

EXO
SIDE
EXSE



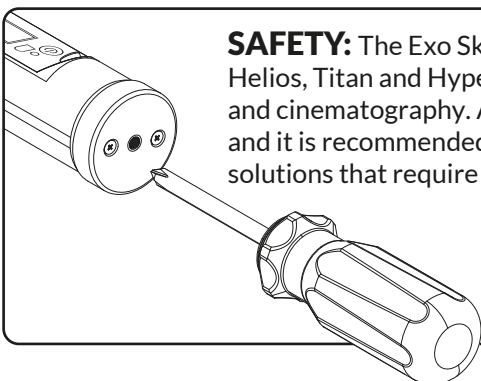
The Exo Side allows you to create frames at four 90° angles with Astera LED tubes to create sets or even multi-layer ceilings, or lighting frames for film production.

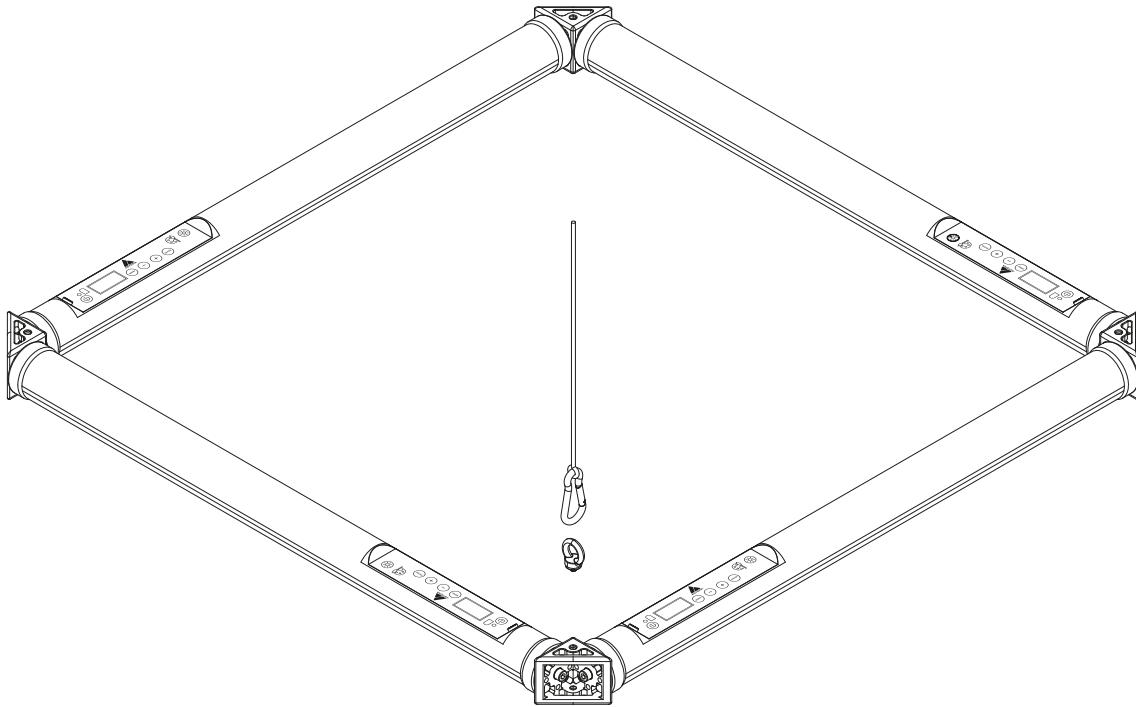
Exo Side modules can also be used in combination with other modules for special constructions.



SAFETY: The Exo Skeleton system has been designed to expand the creative potential with Astera Helios, Titan and Hyperion LED tubes for professional users in the world of entertainment, television and cinematography. Astera LEDs were not originally designed for heavy use with complex modularity and it is recommended to carefully evaluate safety in the construction of complex and sophisticated solutions that require professional support and anchoring systems.

WARNING: Before using the Exo Skeleton system with the Astera LED tubes, make sure that the two screws are well tightened with a Phillips screwdriver. This is important for effective and safe use, avoiding wear of the parts in contact.





Astera Helios, Titan and Hyperion LED tubes can also be used at the same time, even at different heights and with multiple layers.

