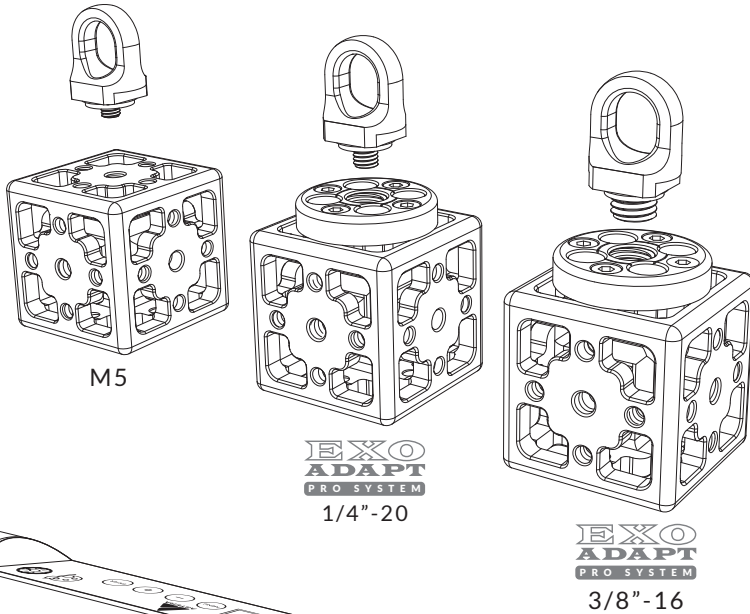


The Exo Ring Pro System is a stainless steel Professional Grade Eye Bolt for heavy-duty rigging applications for shows, events and film productions. Available in three different thread sizes: M5, 1/4"-and 3/8"-16. Two different surface finishings, one in natural stainless steel and one matte black paint. All the different sizes comes with a silicon washer for precise angle adjustments. Wgt: gr. 25, oz. 0,9.



EXO
RING
PRO SYSTEM



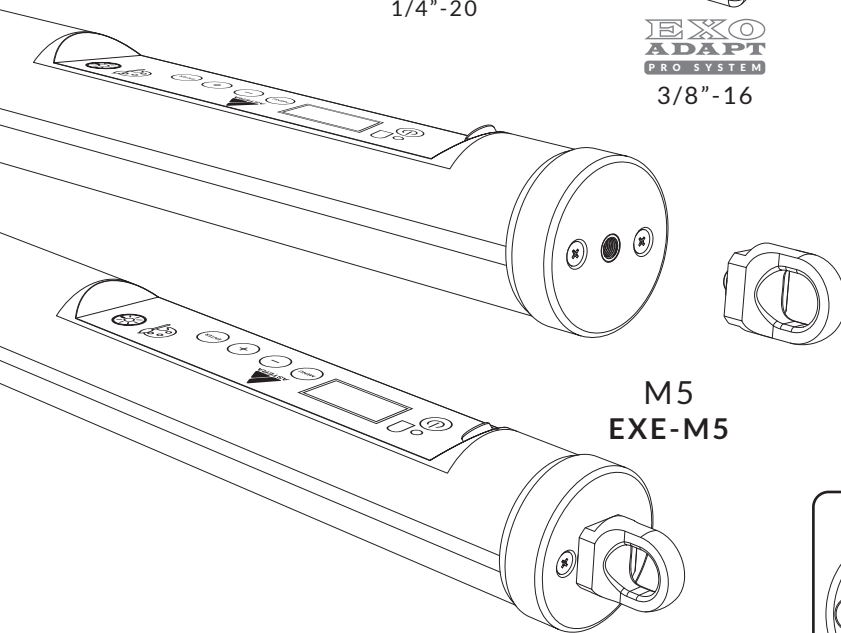
M5
EXE-M5



1/4"-20
EXE-1/4

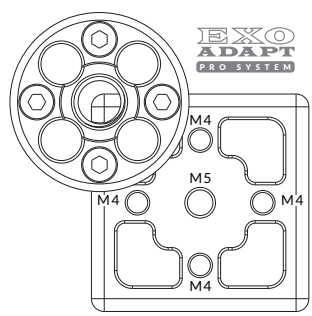


3/8"-16
EXE-3/8



M5
EXE-M5

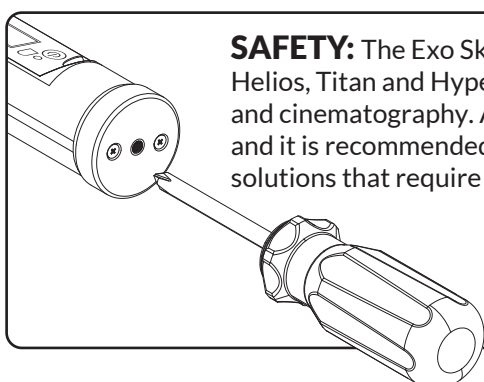
The Exo Ring Pro M5 #EXE-M5 (M5mm thread) can be mounted directly to the Asera LED tubes for more professional hanging solutions.



EXO
ADAPT
PRO SYSTEM

All the Exo Skeleton building modules have the Exo Connect interface for accessories mountings like the Exo Adapt to expand grip solutions to 1/4"-20 and 3/8"-16 standard threads.

EXO
CONNECT
PRO SYSTEM



SAFETY: The Exo Skeleton system has been designed to expand the creative potential with Asera Helios, Titan and Hyperion LED tubes for professional users in the world of entertainment, television and cinematography. Asera LEDs were not originally designed for heavy use with complex modularity and it is recommended to carefully evaluate safety in the construction of complex and sophisticated solutions that require professional support and anchoring systems.

WARNING: Before using the Exo Skeleton system with the Asera LED tubes, make sure that the two screws are well tightened with a Phillips screwdriver. This is important for effective and safe use, avoiding wear of the parts in contact.