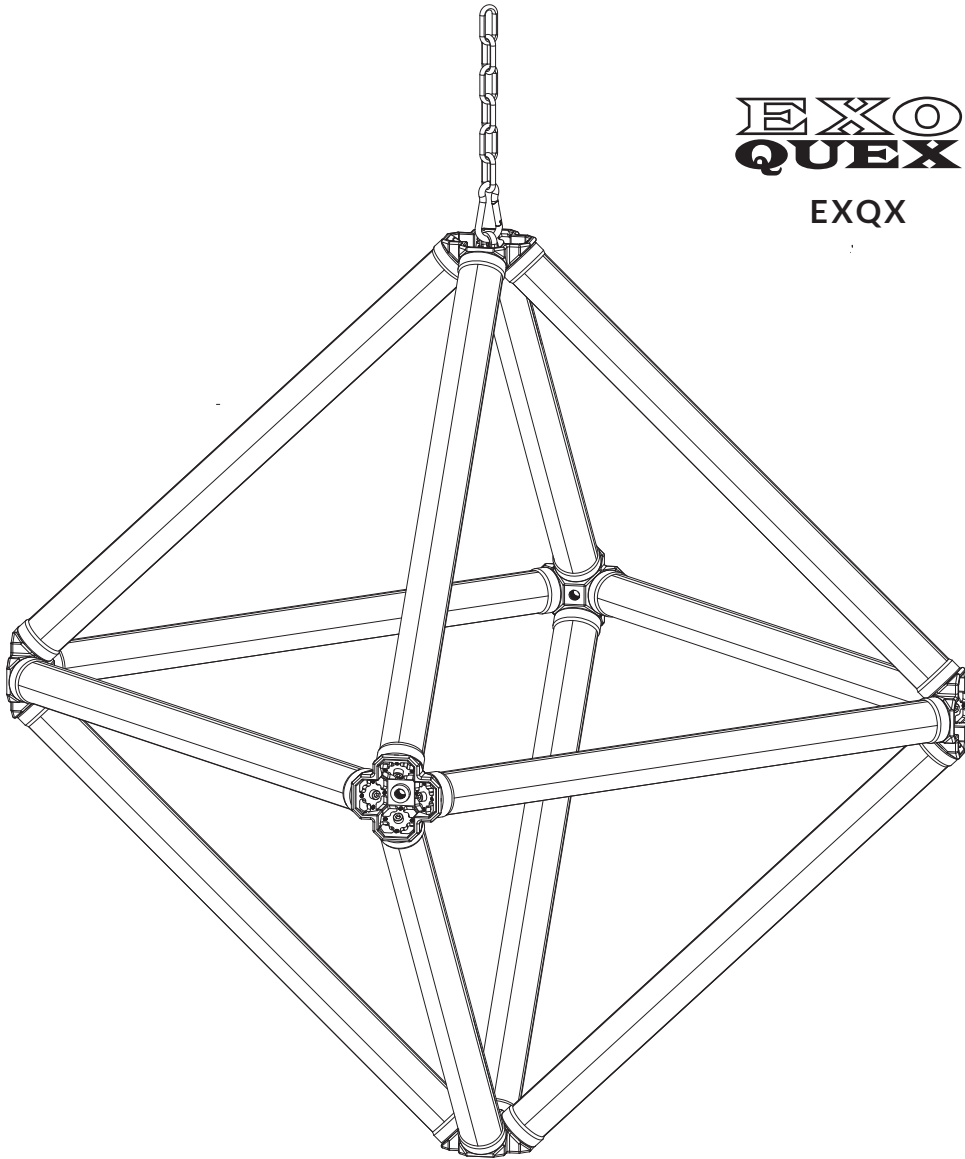
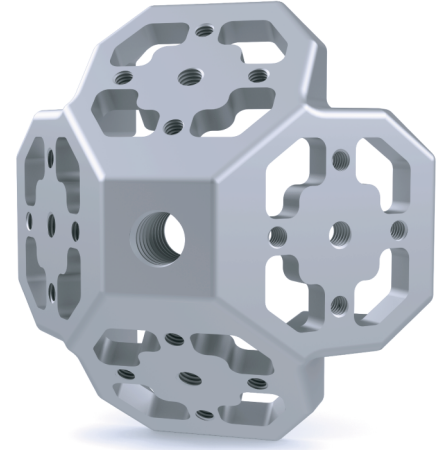


4-Way Diamond building module for Astera Helios, Titan LED tubes.
Aluminium Silver Anodized with (4x) M5 threads and (16x) M4 threads.
(4x) M5X10 hex screws with hex key SW4. (1x) Top/Bottom 3/8"-16 Mounting thread.
Wgt: gr. 120, oz. 4,2.

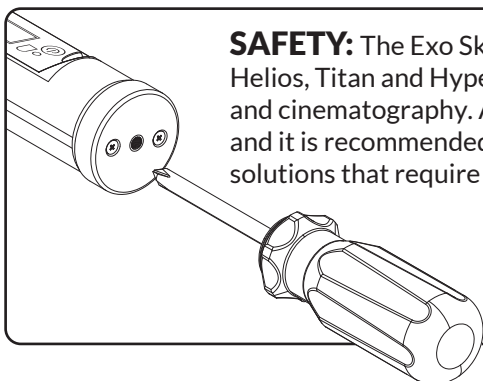
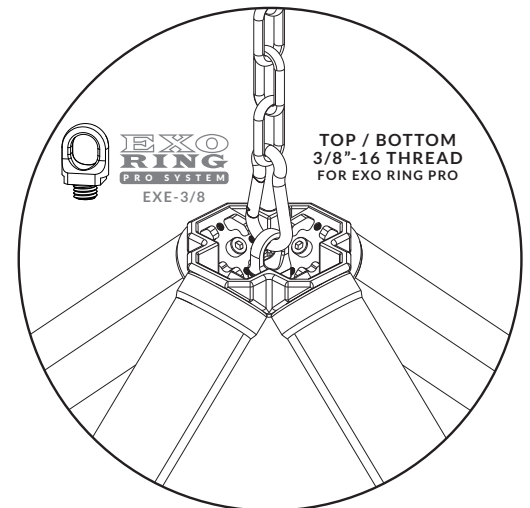


EXO
QUEX
EXQX



The Exo Quex was designed to create diamond shapes with Astera Titan and Helios LED tubes, but with the Exo Quet can be created square pyramids. Also the top mount is a 3/8"-16 thread, and for multiple layers "diamond in diamonds" or "pyramid in pyramids", can be used the bottom Mount.

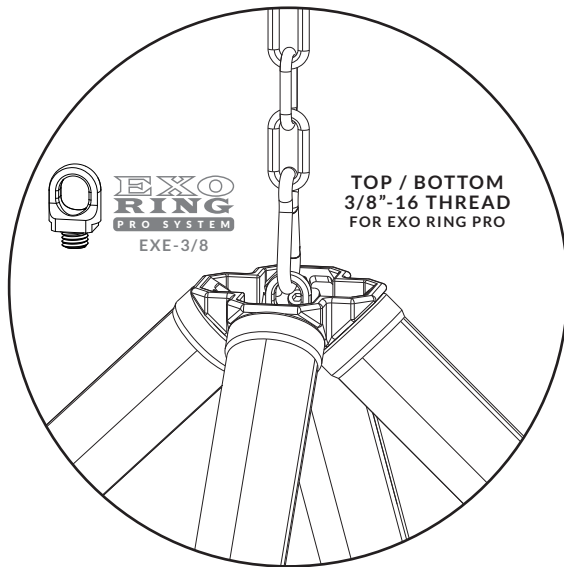
The Exo Ring Pro 3/8"-16 can hang the fixture from the top, but also another unit can be mounted on the bottom for creative projects.



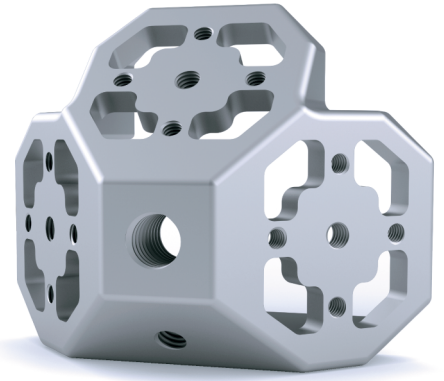
SAFETY: The Exo Skeleton system has been designed to expand the creative potential with Astera Helios, Titan and Hyperion LED tubes for professional users in the world of entertainment, television and cinematography. Astera LEDs were not originally designed for heavy use with complex modularity and it is recommended to carefully evaluate safety in the construction of complex and sophisticated solutions that require professional support and anchoring systems.

WARNING: Before using the Exo Skeleton system with the Astera LED tubes, make sure that the two screws are well tightened with a Phillips screwdriver. This is important for effective and safe use, avoiding wear of the parts in contact.

Flat base building module for the 4-Way Diamond for Astera Helios, Titan LED tubes. To create 4-Way Pyramids. Aluminium Silver Anodized with (3x) M5 threads and (12x) M4 threads. (3x) M5X10 hex screws with hex key SW4. (1x) Top/Bottom 3/8"-16 Mounting thread, (1x) Bottom 1/4"-20 Mounting thread. Wgt: gr. 100, oz. 3,6.

**EXO
QUET**

EXQT



The Exo Quet was designed to work with the Exo Quex to create square pyramids. Using (1x) Exo Quex on the top and (4x) Exo Quet at the bottom.

The Exo Ring Pro 3/8"-16 can hang the fixture from the top, but also another unit can be mounted on the bottom for creative projects.

