

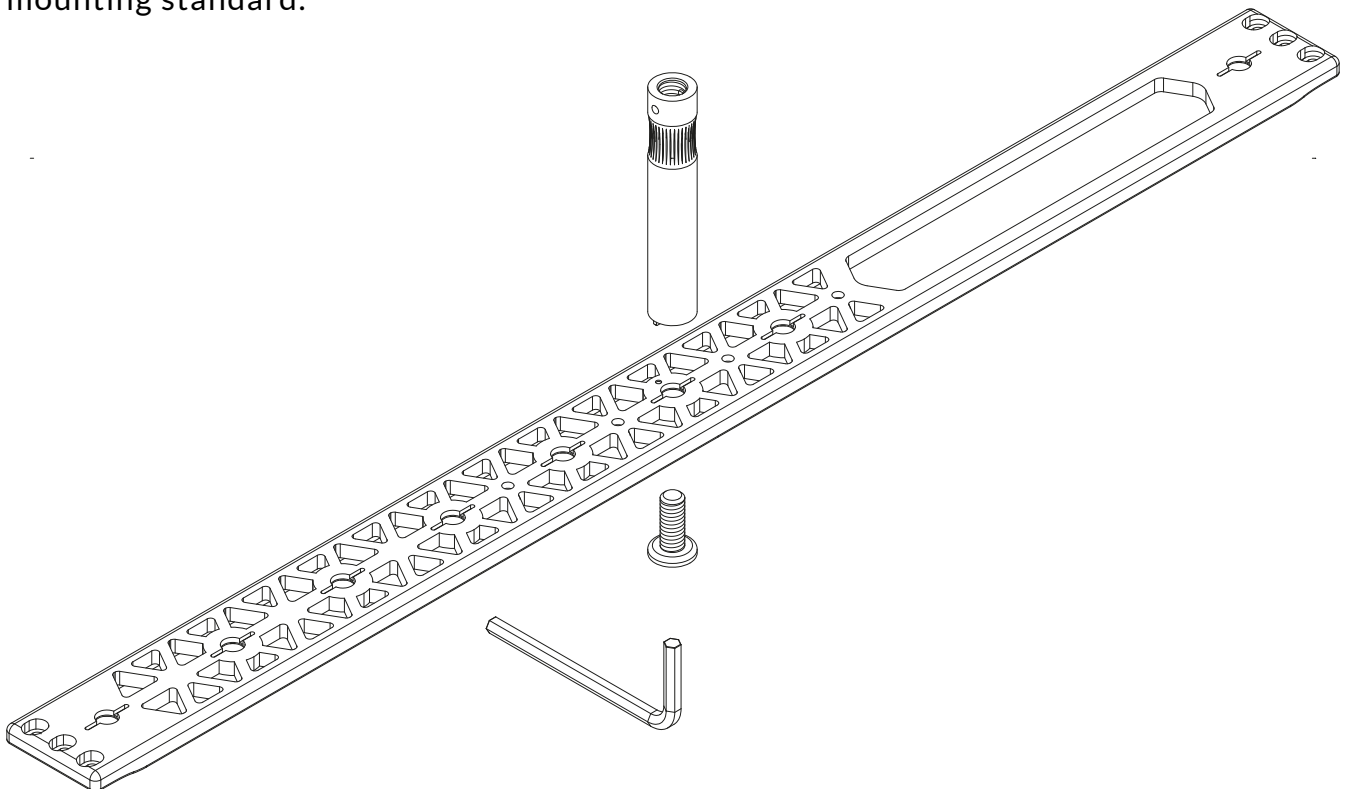
Exo Pin 16mm mount for Exo Bone cnc machined in Titanium Grade 5. Complete with 3-Way head Titanium flat M8 screw, (1x) hex key SW5. Top of the pin has a 3/8-16 mounting thread. Wgt: gr. 62, oz. 2,2.

**EXPIN**

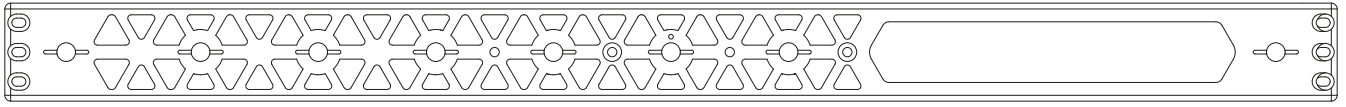
EXPIN



The Exo Pin mounts on the Exo Bone in the 8 fixing slots for Astera Helios (18 slots for Astera Titan) allowing extremely flexible use with the international mounting standard.



The pin has a 3/8" - 16 thread on top and is made of Grade 5 Titanium, with an exclusive SCK Straight Concave Knurling channel that allows extremely precise use. It is mounted with a bolt with a 3-Way fixing head (coin, screwdriver and Hex Tool), also in Titanium.



The Exo Pin has 8 fixing mounting positions for Astera Helios (18 positions for Astera Titan) allowing extremely flexible use on set.

