

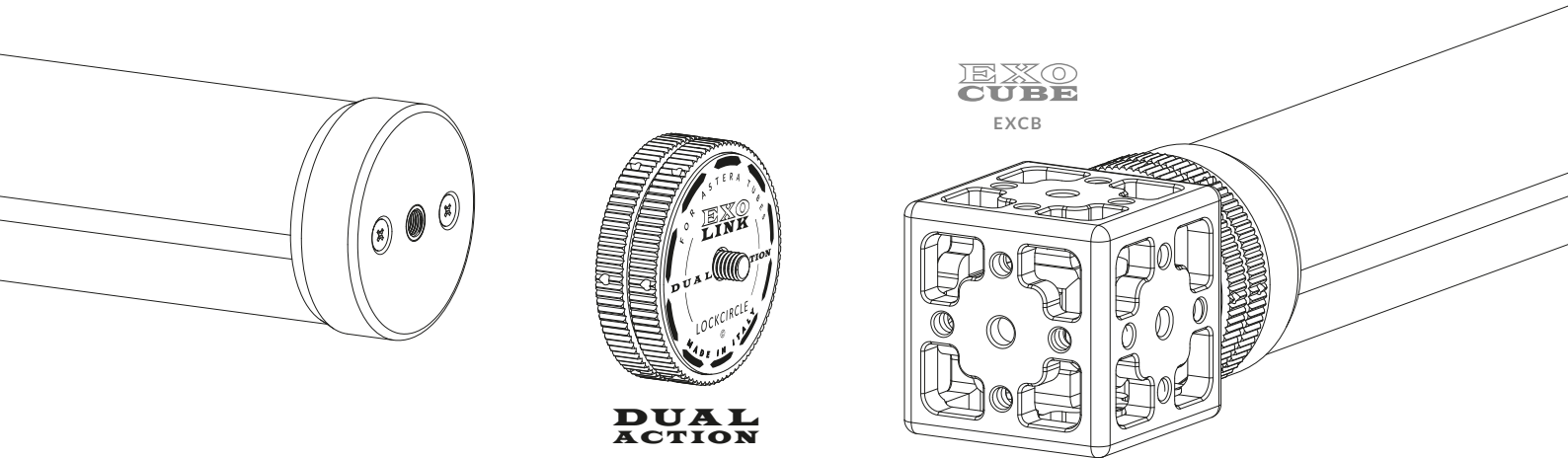
Joint Assembly Dual-Action for special applications, for Astera Helios, Titan and Hyperion. Aluminium Silver anodized with cork pads and Titanium Dual-Action M5 thread. Wgt: gr. 42, oz. 1,5.

The Exo Link Dual Action is a joint assembly designed for special applications such as locking the fourth corner (a physical necessity) when creating light cubes with the Exo Cube.

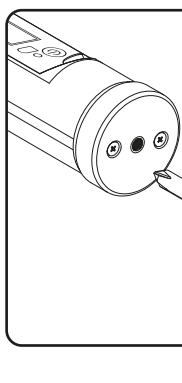
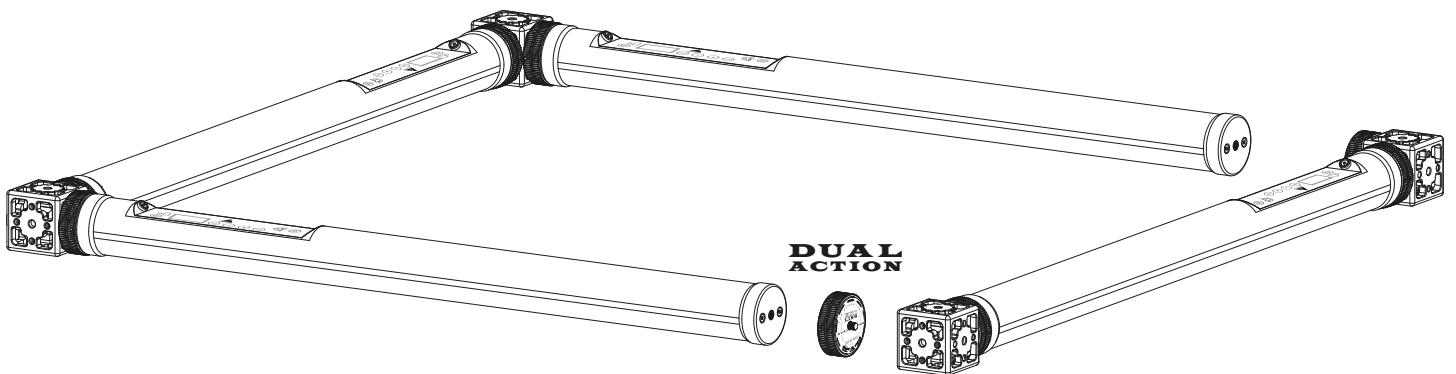
However, it also allows you to create variable connection angles to build particular solutions. The two wheels are covered with cork to prevent damage to the Asters.

**EXO**  
**LINK**  
DUAL ACTION

EXLK-D

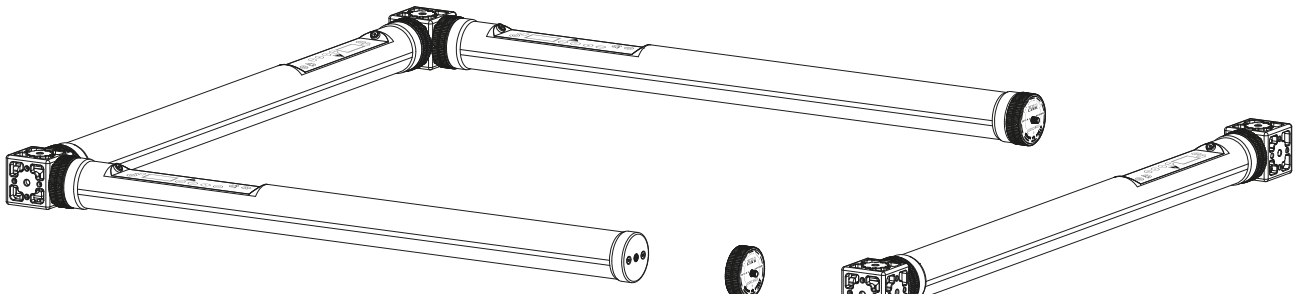


For locking of the fourth corner when using the Exo Cube, for all the other three corners use the normal Exo Link.



**SAFETY:** The Exo Skeleton system has been designed to expand the creative potential with Astera Helios, Titan and Hyperion LED tubes for professional users in the world of entertainment, television and cinematography. Astera LEDs were not originally designed for heavy use with complex modularity and it is recommended to carefully evaluate safety in the construction of complex and sophisticated solutions that require professional support and anchoring systems.

**WARNING:** Before using the Exo Skeleton system with the Astera LED tubes, make sure that the two screws are well tightened with a Phillips screwdriver. This is important for effective and safe use, avoiding wear of the parts in contact.

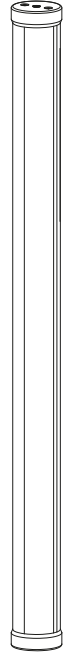


**DUAL ACTION**

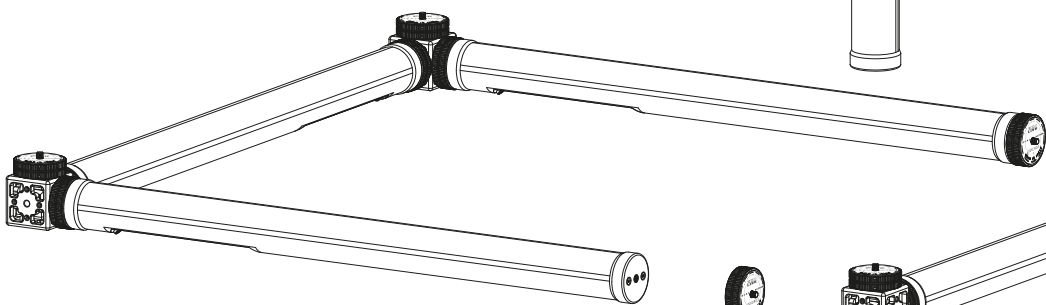
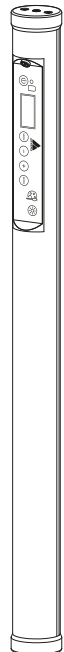
**DUAL ACTION**

**DUAL ACTION**

**DUAL ACTION**



**DUAL ACTION**



**DUAL ACTION**

For locking of the fourth corner when using the Exo Cube, for all the other three corners use the normal Exo Link.